

INDOOR & OUTDOOR WALL MOUNTING OPTIONS



Optillis



Mounting plate x 1

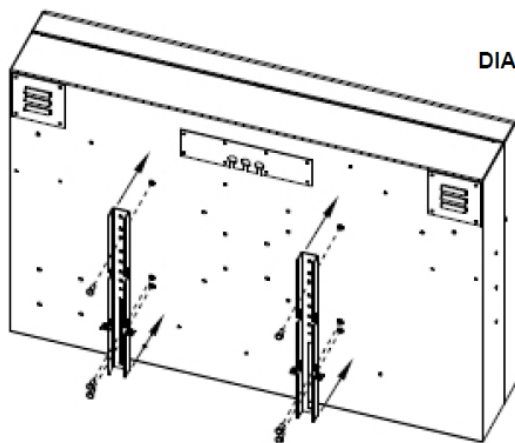


Standard bracket x 2

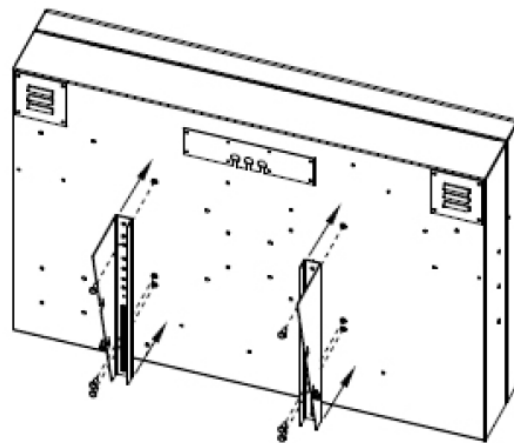
15 deg bracket x 2

FIXING OF WALL MOUNTING BRACKETS

- Fix wall bracket to wall or area for mounting using suitable fixings capable of supporting the load
- Fix required wall brackets to rear of enclosure using M8 x 16 screws supplied, ensure bolts are tight .(dia g : 1.2)
- Special considerations concerning the 15 degree wall mount bracket must be undertaken when locating this bracket , to avoid possible collision with wall or surface when mounting (diag :2.2)
- Place enclosure on the wall bracket and tighten screws using a Philips screwdriver until they clamp onto the wall bracket.(diag : 3.2) This is to ensure security and prevent any lift off of the enclosure

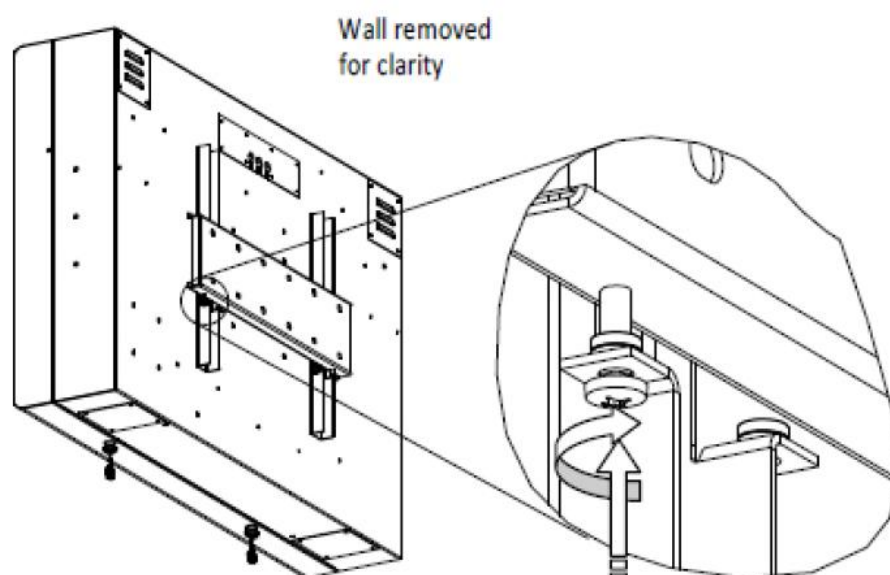
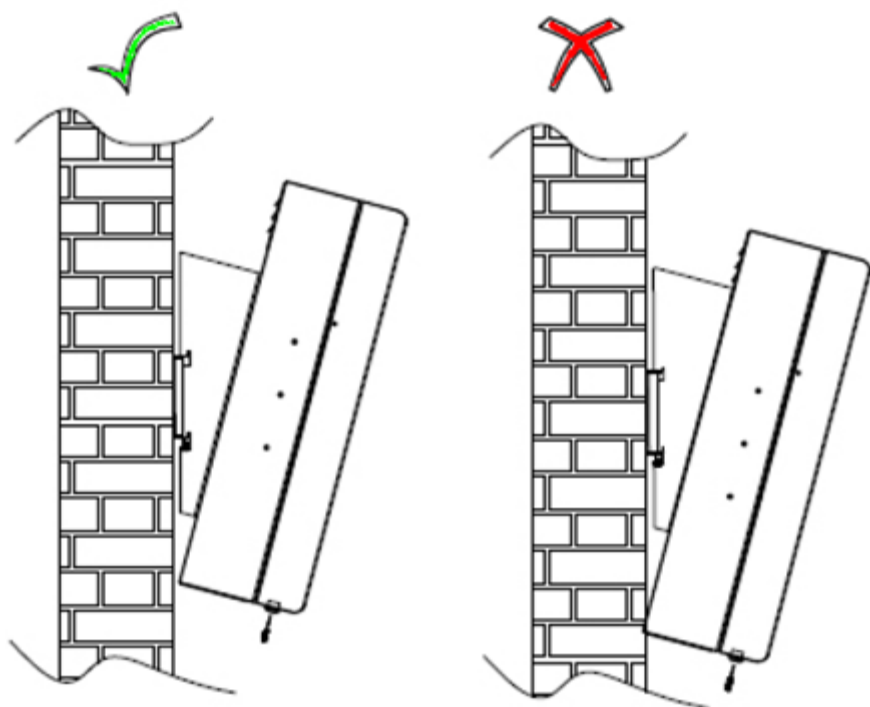


DIAG: 1.2





Optillis



CLEANING OF ENCLOSURE

Should you need to clean the enclosure no abrasive cleaner should be used. Only warm diluted soapy water (a small amount of washing up liquid) should be used on both the screen and the unit. Only a lint free cloth should be used to clean the enclosure window. Ensure fan filters are monitored and checked for blockages.